

Vanity Base Cabinet Configurations

1. SELECT AVAILABLE DOOR STYLE & COLOR

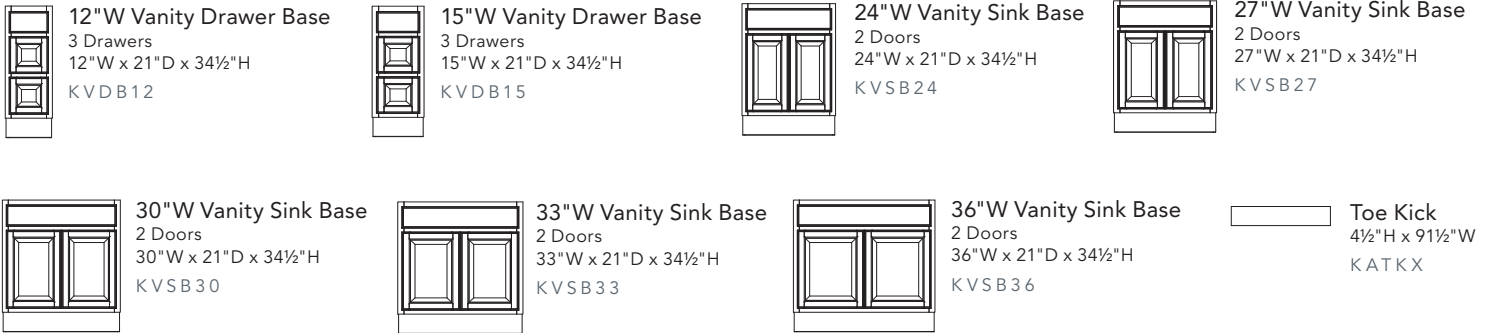
HAMILTON Raised Panel



ANDOVER Shaker Flat Panel



2. SELECT REQUIRED CABINETS & ACCESSORIES



3. CREATE YOUR VANITY LAYOUT

